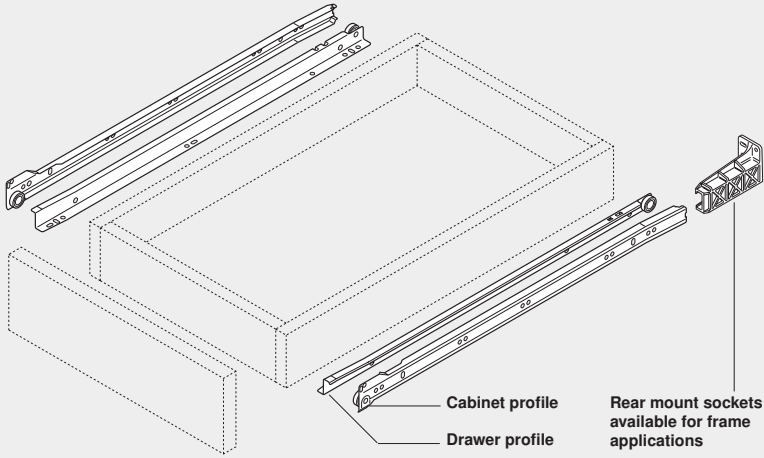


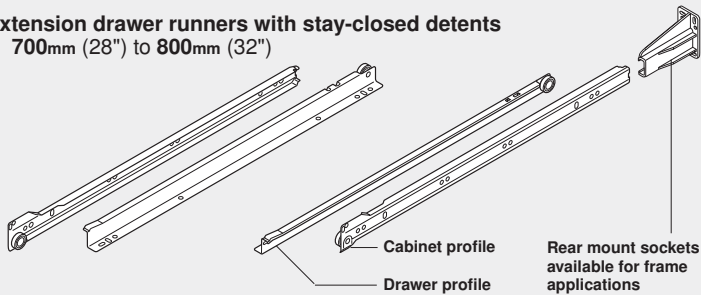


# Standard drawer runner program

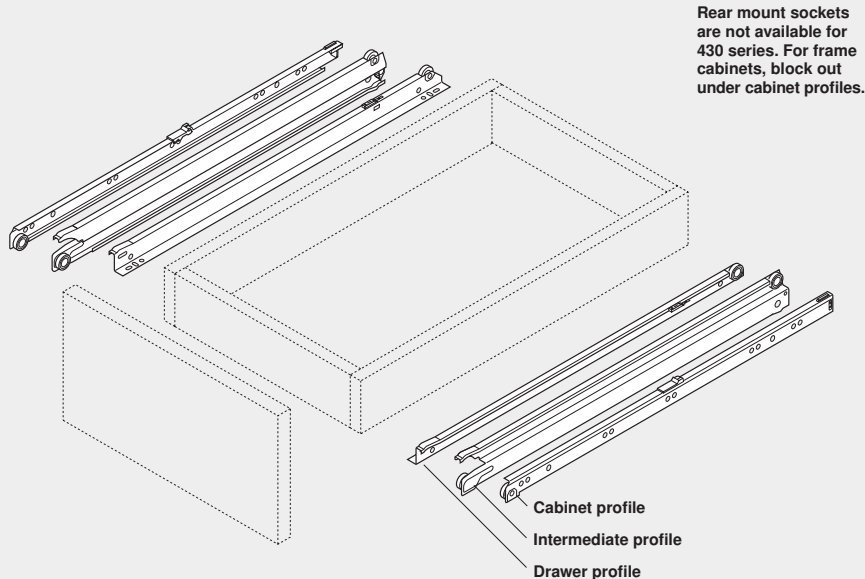
## 230M Single extension, Blumatic self-closing drawer runners Lengths: 250mm (10") to 650mm (26")



## 230E Single extension drawer runners with stay-closed detents Lengths: 700mm (28") to 800mm (32")



## 430E Full extension drawer runners with stay-closed detents Lengths: 250mm (10") to 800mm (32")



### 230 series drawer runners



- Single extension, bottom mounted
- Durable epoxy coating in cream or white
- Smooth running synthetic rollers on tempered steel axles
- Captive RH profiles/tolerance LH profiles
- 1/2" side clearance
- Double warning lift out stop

230M series have Blumatic self-closing action. Angled drawer and cabinet profiles create a parallel drop 3/32".

230E series have stay-closed detents in the drawer profiles that hold the drawer in the closed position.

### 430 series drawer runners



- Full extension, bottom mounted
- Durable epoxy coating in cream or white
- Smooth running synthetic rollers on tempered steel axles
- Double captive profiles
- 1/2" side clearance
- Lock out stops to prevent drawer removal
- Intermediate profiles lock out for easy drawer installation
- 1-1/4" over extension
- Detents in the drawer and intermediate profiles hold the drawer closed

### Millimeter to inch equivalents

1	1.5	2	3	4	5	5.5	6	7	8	9	9.5	10	11	12	13	13.5	14	15	16	17	17.5	18	19	20	20.5	21	22	23	24	24.5	25.4
1/32	1/16	3/32	1/8	5/32	3/16	7/32	1/4	9/32	5/16	11/32	3/8	13/32	7/16	15/32	1/2	17/32	9/16	19/32	5/8	21/32	11/16	23/32	3/4	25/32	13/16	27/32	7/8	29/32	15/16	31/32	1

# STANDARD 230M Series

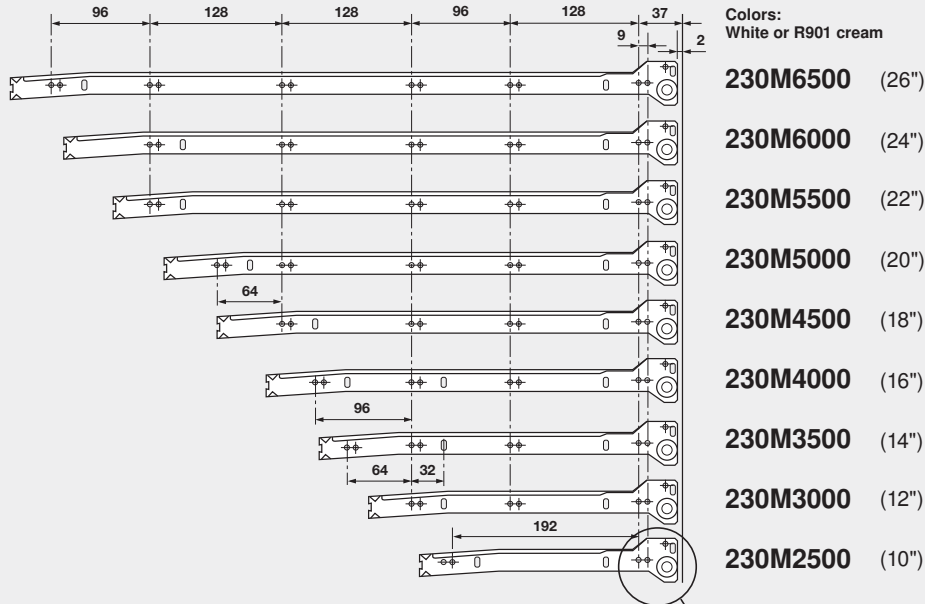
## Bottom mounted single extension drawer runners

### Specifications

Runner	Nominal Length Inches	Frame Cabinet Interior Depth*		Minimum Panel Cabinet Interior Depth*	Suggested Drawer Length	Extension Loss**	Cabinet & Drawer Profile Length
		Maximum	Minimum				
230M6500	26"	714 (28 <sup>1</sup> / <sub>8</sub> "	677 (26 <sup>11</sup> / <sub>16</sub> "	653 (25 <sup>3</sup> / <sub>4</sub> "	650 (25 <sup>5</sup> / <sub>8</sub> "	127 (4 <sup>5</sup> / <sub>16</sub> "	650 (25 <sup>5</sup> / <sub>8</sub> "
230M6000	24"	664 (26 <sup>1</sup> / <sub>8</sub> "	627 (24 <sup>11</sup> / <sub>16</sub> "	603 (23 <sup>3</sup> / <sub>4</sub> "	600 (23 <sup>5</sup> / <sub>8</sub> "	120 (4 <sup>1</sup> / <sub>16</sub> "	600 (23 <sup>5</sup> / <sub>8</sub> "
230M5500	22"	614 (24 <sup>3</sup> / <sub>16</sub> "	577 (22 <sup>3</sup> / <sub>4</sub> "	553 (21 <sup>13</sup> / <sub>16</sub> "	550 (21 <sup>1</sup> / <sub>16</sub> "	110 (4 <sup>5</sup> / <sub>16</sub> "	550 (21 <sup>11</sup> / <sub>16</sub> "
230M5000	20"	564 (22 <sup>3</sup> / <sub>16</sub> "	527 (20 <sup>3</sup> / <sub>4</sub> "	503 (19 <sup>13</sup> / <sub>16</sub> "	500 (19 <sup>1</sup> / <sub>16</sub> "	102 (4")	500 (19 <sup>11</sup> / <sub>16</sub> "
230M4500	18"	514 (20 <sup>1</sup> / <sub>4</sub> "	477 (18 <sup>13</sup> / <sub>16</sub> "	453 (17 <sup>3</sup> / <sub>4</sub> "	450 (17 <sup>3</sup> / <sub>4</sub> "	95 (3 <sup>3</sup> / <sub>4</sub> "	450 (17 <sup>3</sup> / <sub>4</sub> "
230M4000	16"	464 (18 <sup>1</sup> / <sub>4</sub> "	427 (16 <sup>13</sup> / <sub>16</sub> "	403 (15 <sup>7</sup> / <sub>8</sub> "	400 (15 <sup>3</sup> / <sub>4</sub> "	85 (3 <sup>3</sup> / <sub>8</sub> "	400 (15 <sup>3</sup> / <sub>4</sub> "
230M3500	14"	414 (16 <sup>1</sup> / <sub>4</sub> "	377 (14 <sup>13</sup> / <sub>16</sub> "	353 (13 <sup>7</sup> / <sub>8</sub> "	350 (13 <sup>3</sup> / <sub>4</sub> "	85 (3 <sup>3</sup> / <sub>8</sub> "	350 (13 <sup>3</sup> / <sub>4</sub> "
230M3000	12"	364 (14 <sup>5</sup> / <sub>16</sub> "	327 (12 <sup>7</sup> / <sub>8</sub> "	303 (11 <sup>15</sup> / <sub>16</sub> "	300 (11 <sup>13</sup> / <sub>16</sub> "	85 (3 <sup>3</sup> / <sub>8</sub> "	300 (11 <sup>13</sup> / <sub>16</sub> "
230M2500	10"	314 (12 <sup>5</sup> / <sub>16</sub> "	277 (10 <sup>7</sup> / <sub>8</sub> "	253 (9 <sup>15</sup> / <sub>16</sub> "	250 (9 <sup>13</sup> / <sub>16</sub> "	59 (2 <sup>5</sup> / <sub>16</sub> "	250 (9 <sup>13</sup> / <sub>16</sub> "

\* For overlay drawer fronts. Space requirements for inset drawers will vary according to front thickness. A trial is recommended.

\*\* At suggested drawer length.

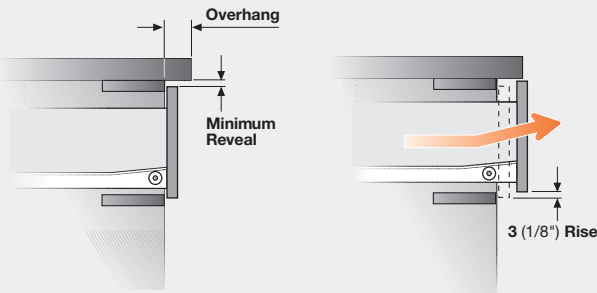


230M Rear Mount Socket

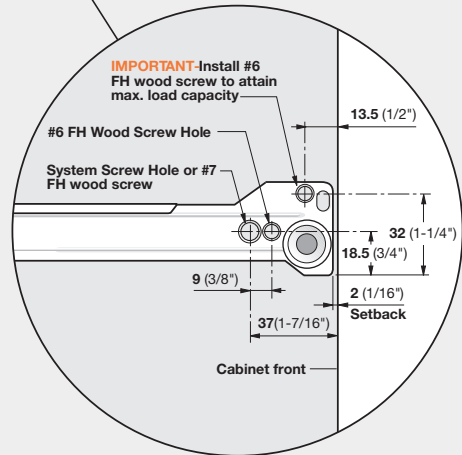


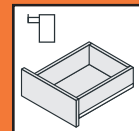
- 602320 L&R set
- 602300 RH socket
- 602301 LH socket

**IMPORTANT:** The Blumatic design lowers the drawer into the closed position. Consult the minimum reveal table to make sure the drawer front clears the countertop overhang when the drawer opens.



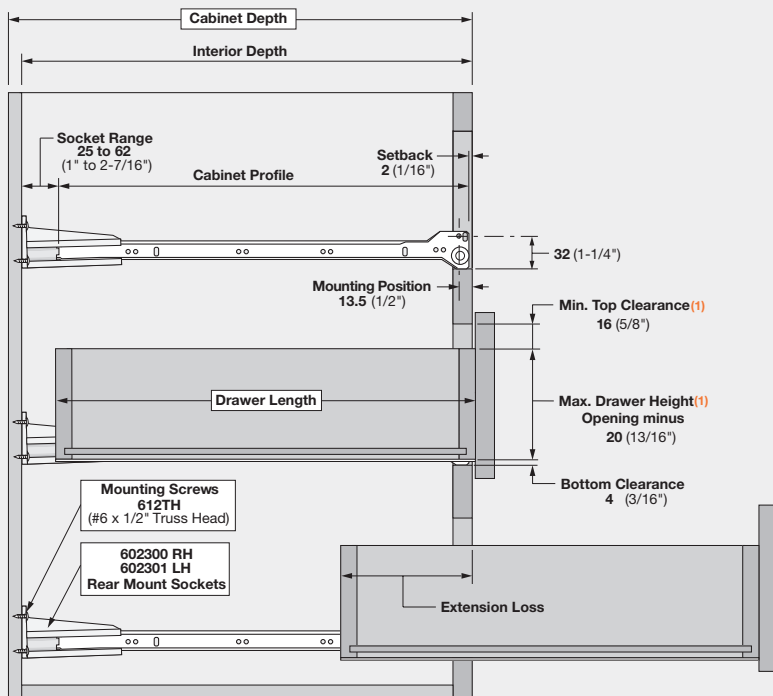
Overhang	16 (5/8")	32 (1 1/4")	48 (1 7/8")
Minimum Reveal	1 (1/32")	2 (3/32")	3 (1/8")



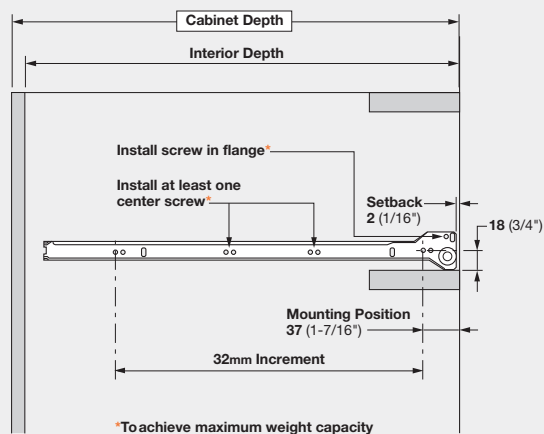


## Drawer and cabinet specifications

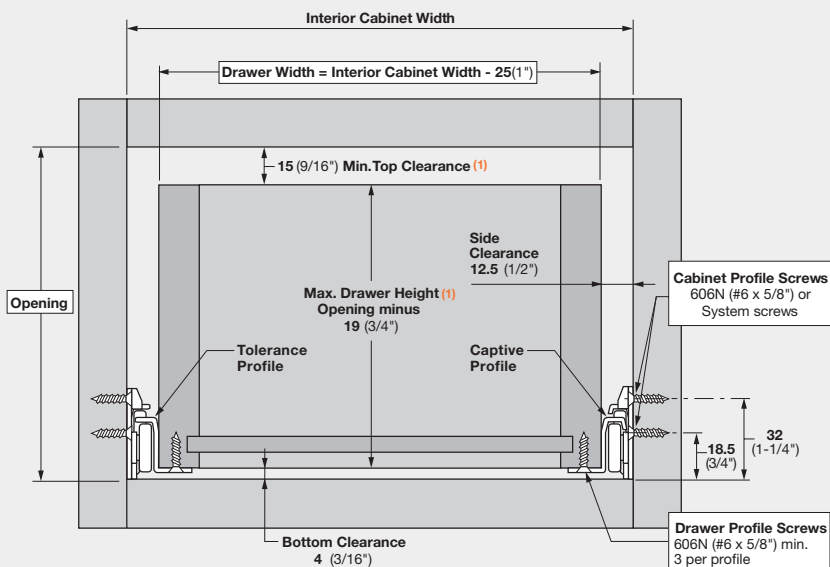
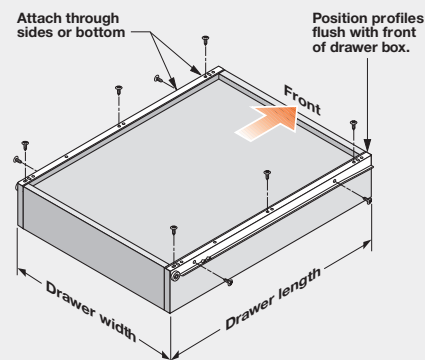
### Frame Cabinet Installation



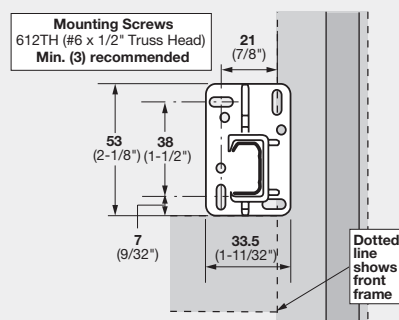
### Panel Cabinet Installation



### Drawer Profile Mounting



### Rear Mount Socket Location



<sup>(1)</sup> Minimum top clearance and maximum drawer height when drawer is of recommended length and tilting to remove is not desired.

# STANDARD 230E Series

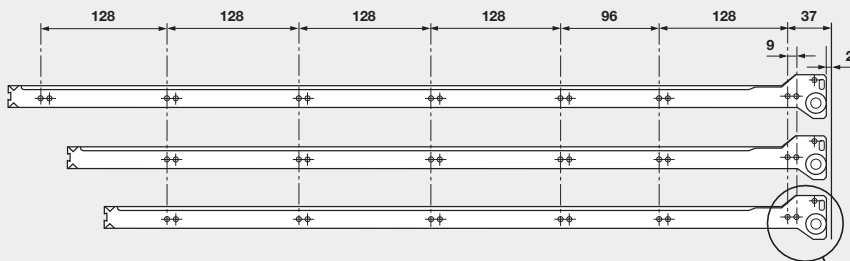
## Bottom mounted single extension drawer runners

### Specifications

Runner	Nominal Length Inches	Frame Cabinet Interior Depth*		Minimum Panel Cabinet Interior Depth*	Suggested Drawer Length	Extension Loss**	Cabinet & Drawer Profile Length
		Maximum	Minimum				
230E8000	32"	852 (33 9/16")	805 (31 3/4")	803 (31 5/8")	800 (31 1/2")	152 (6")	800 (31 1/2")
230E7500	30"	802 (31 9/16")	755 (29 3/4")	753 (29 5/8")	750 (29 1/2")	145 (5 23/32")	750 (29 1/2")
230E7000	28"	752 (29 9/16")	705 (27 3/4")	703 (27 11/16")	700 (27 9/16")	135 (5 5/16")	700 (27 9/16")

\* For overlay drawer fronts. Space requirements for inset drawers will vary according to front thickness. A trial is recommended.

\*\* At suggested drawer length.



Colors:  
White or R901 cream

**230E8000** (32")

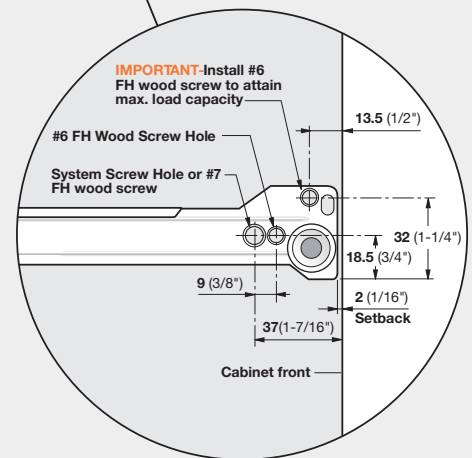
**230E7500** (30")

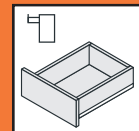
**230E7000** (28")

### 230E Rear Mount Socket



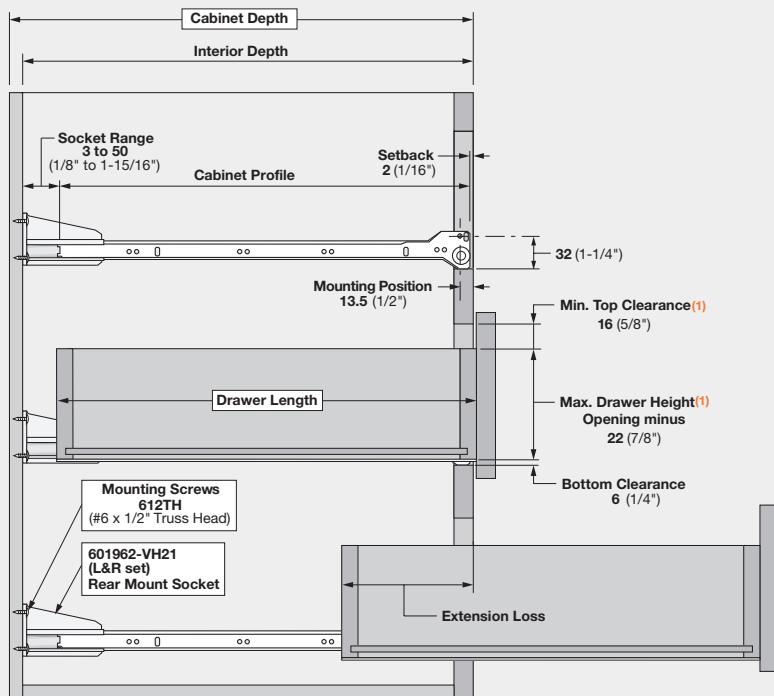
601962-VH21	L&R set
601960	RH socket
601961	LH socket



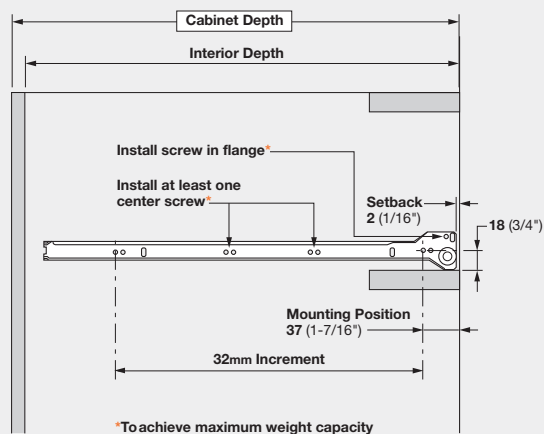


## Drawer and cabinet specifications

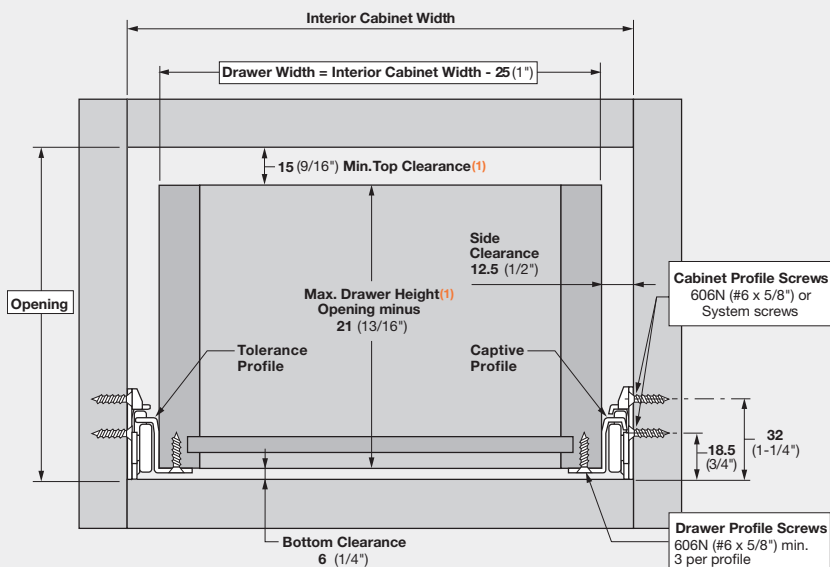
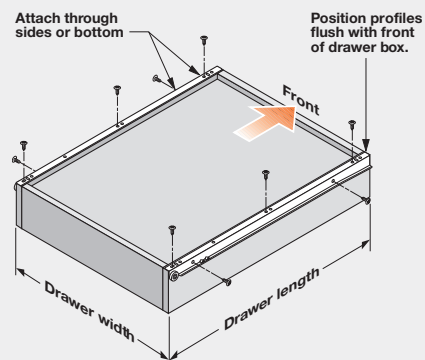
### Frame Cabinet Installation



### Panel Cabinet Installation

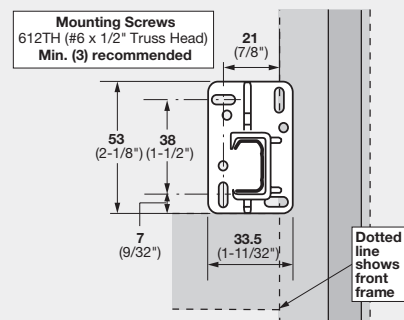


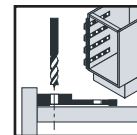
### Drawer Profile Mounting



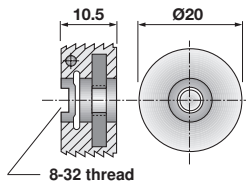
<sup>(1)</sup> Minimum top clearance and maximum drawer height when drawer is of recommended length and tilting to remove is not desired.

### Rear Mount Socket Location





Drawer front adjuster



Drawer front adjuster

Part No. 295.1000

MINIPRESS Ram

MZM.0095

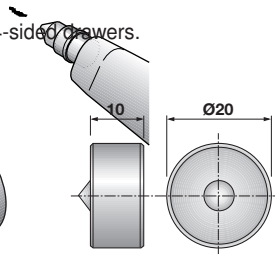
Ø20 Drill bit

MOI.ZB20.02

Marking gauge

For marking adjusters, 295.1000

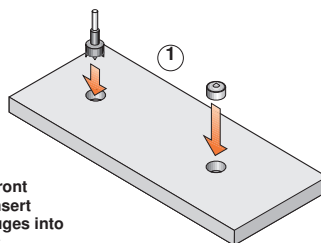
For wooden 4-sided drawers.



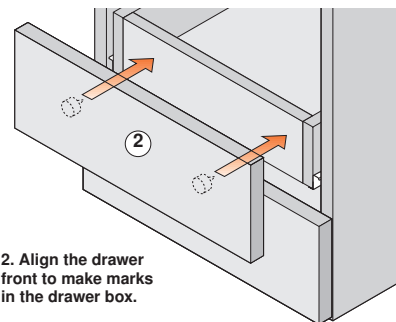
Marking gauge

Part No. 65.2950

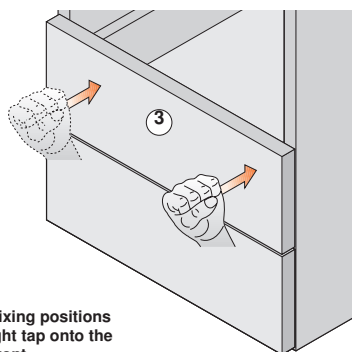
Installation of drawer front adjuster using marking gauges



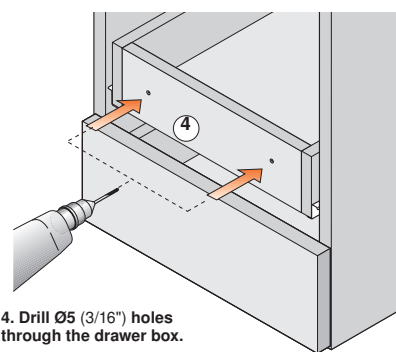
1. Bore for front adjusters. Insert marking gauges into drawer front.



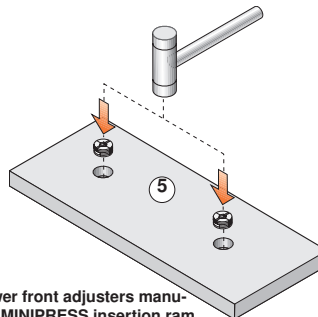
2. Align the drawer front to make marks in the drawer box.



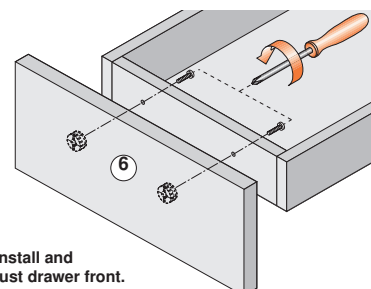
3. Mark fixing positions with a light tap onto the drawer front.



4. Drill Ø5 (3/16") holes through the drawer box.



5. Insert drawer front adjusters manually or with a MINIPRESS insertion ram (MZM.0095)



6. Install and adjust drawer front.