

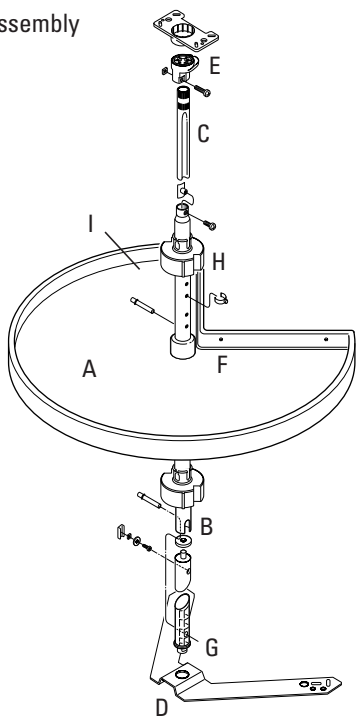
DOOR MOUNT POLYMER LAZY SUSAN

Installation Instructions

Inspect all parts and read all instructions prior to beginning assembly and installation.

Parts Included

- | | |
|----------------------------|-------------------------|
| A. (2) Shelves | F. (4) #10 x 1" Screws |
| B. Lower post | G. (8) #8 x 1/2" Screws |
| C. Upper post | H. (2) Bearing Hubs |
| D. Bottom Mounting Bracket | I. (2) Bearing pins |
| E. Clutch Mount Assembly | |



Tools Required

- Phillips screwdriver with sharp #2 point and 1/4" diameter shank. Note: a rounded or broken point will make height adjustment difficult or damage adjusting screw.
- Drill with 1/8" and 1/16" diameter drill bits
- Pencil

Product Assemblies

PPN24

PPN28



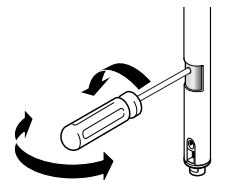
Real Solutions
For Real Life.™

KNAPE & VOGT MANUFACTURING COMPANY

P.O. Box 191, Muncie, IN 47308

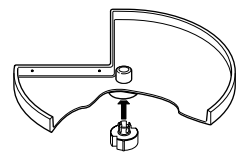
0.899.6535 • 765.288.8730 • Fax 765.288.0851 • www.kv.com

Step 1 Hold Lower post (B) and locate height adjusting screw in post raising assembly. To check that jack base is properly located for future vertical adjustment, loosen screw 1 turn. Leave the screwdriver in the screw to use as a handle. Rotate the jack base within the post to the right and to the left. Stop the screw so that the jack base is in the middle of the travel area and tighten 1 turn.



1

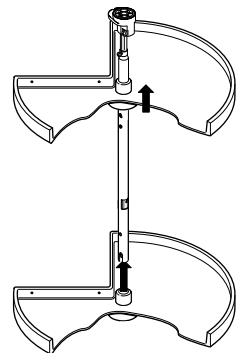
Step 2 Insert Bearing Hubs (H) into center area on the underside of each of the Shelves (A). Note that the key way on the side of the Bearing Hub must be aligned with the key on the inside of the Shelf.



2

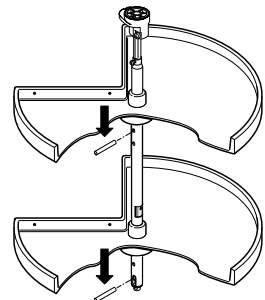
Step 3 Slide the Shelves onto the Lower post from the bottom (post raising assembly end).

Step 4 Push one of the Bearing pins (I) into bottom slot in pole and through the hole in post raising assembly, then slide bottom shelf down over pin so that the groove in the hub engages or captures the pin, making sure the jack assembly remains inserted in the lower post.



3

Step 5 Insert second Bearing pin (I) into one of the upper holes in the Lower post to give desired shelf separation. (Note: The second from the top pin hole will give approximately 11 1/2" of clearance. This should allow for enough room for items on Lower Shelf). Slide Top Shelf down over the Bearing pin so that the groove in the Bearing Hub engages or captures the pin.



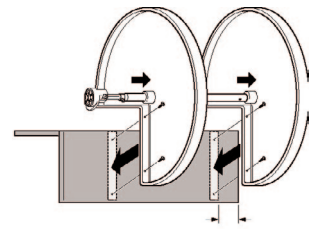
4 & 5

Step 6 Lay the cabinet door over a sawhorse or similar workstand. Position shelves onto door as they would be in the installed location. The bottom of the face of lower shelf should be located 1-1/2" above the floor of the cabinet when the post raising assembly is in the center of its range.

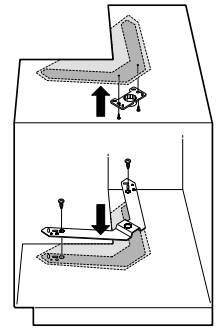
Check to see if the faceframe protrudes above the floor of the cabinet, then subtract any protrusion and the desired door/frame reveal from 1-1/2" to get the location of the bottom of the door relative to the bottom of the face of the shelf. Recheck the Shelves to make sure the grooves in the Bearing Hub are engaging the Bearing pins and that they are pushed onto the pins as far as they will go. Mark and drill 1/8" pilot holes, 1/4" deep using the existing holes in the Bottom Shelf face as a template. Fasten the Bottom Shelf to door using (4) #10 x 1" Screws (F).

- Step 7** Making sure the Top Shelf is pushed down onto the top Bearing pin as far as it will go, mark and drill 1/8" pilot holes, 1/4" deep using the existing holes in the Top Shelf face as a template. Fasten the Top Shelf to door using (4) #10 x 1" Screws (F).
- Step 8** Use installation template to mark and drill 1/16" pilot holes in the bottom and top of cabinet interior.
- Step 9** Place Bottom mounting bracket (D) over drilled holes and fasten using (2) #8 x 1/2" Screws (G). Install the Clutch Mount Assembly (E) in the same manner using 2 Screws (G).
- Step 10** Using the lower post as a handle to keep shelves from sliding off Bearing pins, and making sure that the upper post is inserted fully into the lower post, place the entire door-mounted unit into the cabinet. Engage the bottom of the post raising assembly with the bottom mounting bracket. Loosen the setscrew that holds the Upper post in the lower post and slide up the upper post to engage the clutch mount assembly. Push the upper post into the clutch mount assembly as far as it will go, then back out 3/32" to leave room for rotational adjustment. Tighten the set screw securely with a screwdriver.
- Step 11** If cabinet door needs to be raised or lowered to center in the cabinet opening, loosen height adjusting screw 1 turn (leaving screwdriver engaged in screw). Using the screwdriver as a handle, rotate as needed to set the door to the proper height and tighten screw securely. If the Upper post won't move far enough, the screw on the clamp of the Clutch Mount Assembly can be loosened and the Upper post moved up or down 1/8" more.
- Step 12** Loosen clamp screw on the Clutch Mount Assembly 1 turn. Gently turn the shelves clockwise (push with left hand). When the shelves stop turning easily, return the shelves back turning counterclockwise (push with right hand). Stop turning at the moment the door is perfectly aligned in the opening. Turn the doors back into the cabinet clockwise (push with left hand). Stop turning when you can easily reach the clamp screw on the Clutch Mount Assembly. Retighten clamp screw.

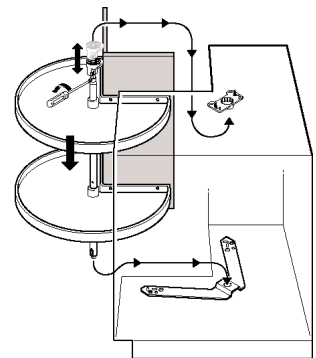
Your installation is complete! Affix the enclosed "Care Instructions" to an inside wall of the cabinet for future reference.



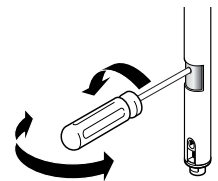
6



8 & 9



10



11



Real Solutions
For Real Life.™

KNAPE & VOGT MANUFACTURING COMPANY

P.O. Box 191, Muncie, IN 47308

.899.6535 • 765.288.8730 • Fax 765.288.0851 • www.kv.com